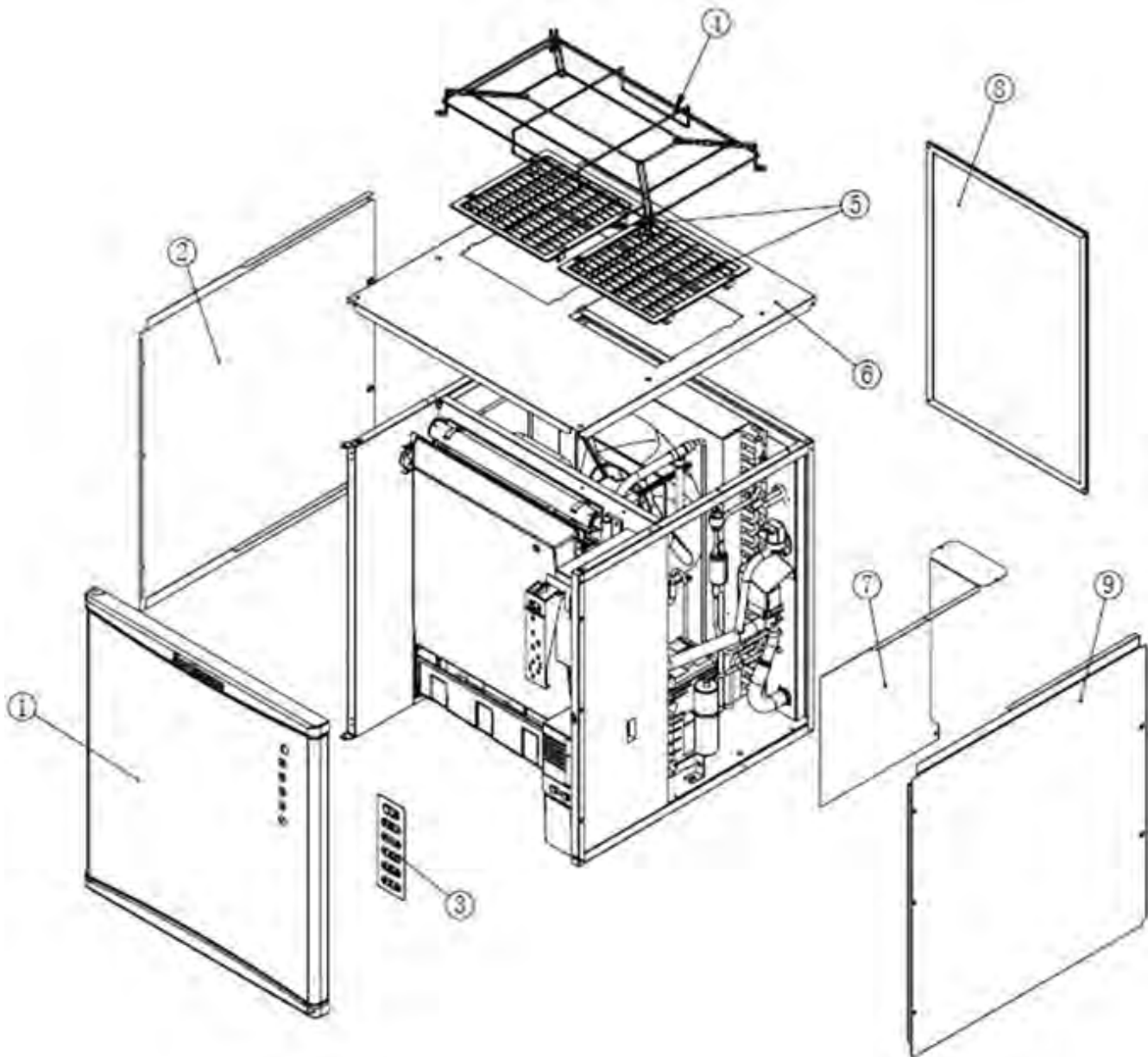


- 1 CABINET ASSY
- 2 REFRIGERANT SYSTEM AIR COOLED
- 3 ICE MAKING SYSTEM
- 4 P.C. BOARD AND SENSORS ASSY

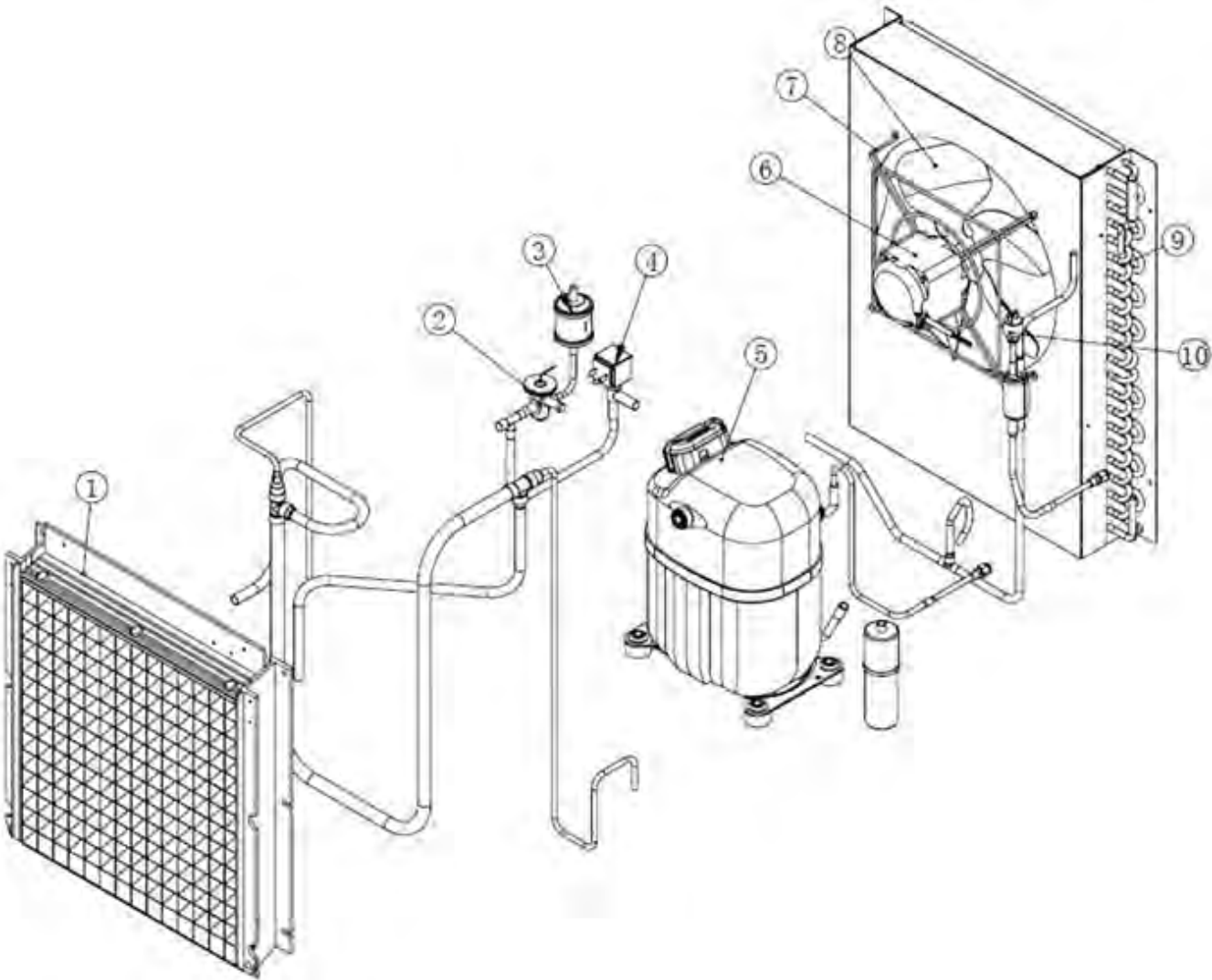
CABINET ASSY



CABINET ASSY

Code	Description
(1) SC 91000069 -10	FRONT PANEL
(2) SC 11000111	RIGHT SIDE PANEL
(3) SC 98020201-01	MONITORING LED LABEL
(4) SC 80000011	AIR FLOW PROTECTION
(5) SC 41000038-01	AIR OUT LOUVER
(6) SC 11000089	TOP PANEL
(7) SC 11000087	WATER DRIP PROTECTION
(8) SC 80000005	AIR FILTER
(9) SC 11000088	LEFT SIDE PANEL

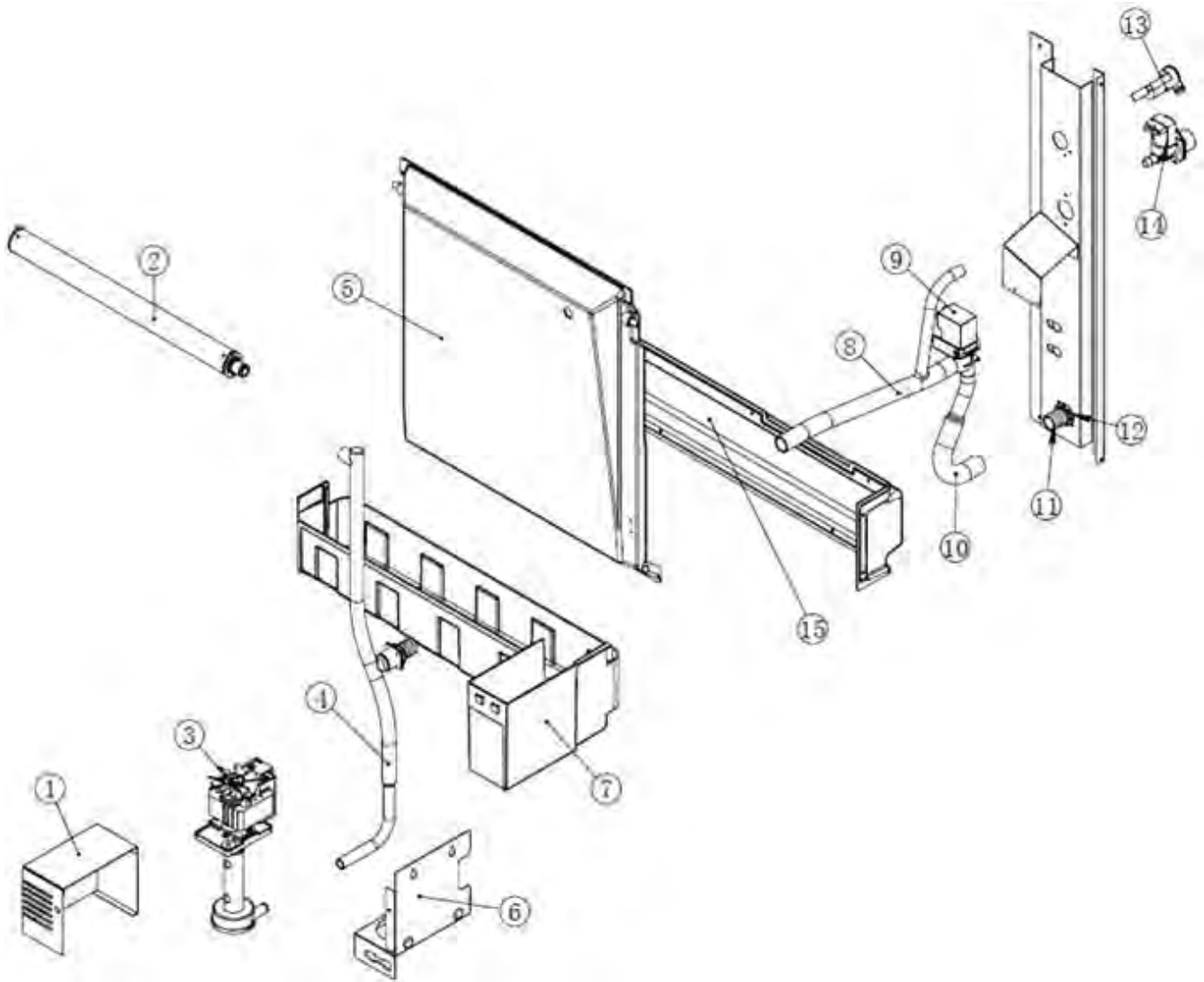
REFRIGERANT SYSTEM AIR COOLED



REFRIGERANT SYSTEM AIR COOLED

Code	Description
(1) SC 93000024-00	EVAPORATOR-DICE
(1) SC 93000024-01	EVAPORATOR-HALFDICE
(2) SC 81000022	TXV
(3) CM 19300357	DRIER
(4) SC 81000021	HOT GAS VALVE ASSY
(5) 620057 46	RELAY - 230/50
(5) 620058 78	PROTECTOR MST 000ALKD
(5) 620167 21	CAPACITOR - 15 MFD/400V
(5) 620167 47	START CAPACITOR - 230/50
(5) 670099 04	COMPRESSOR - 230/50/1
(6) CM 18562524	FAN MOTOR - 230/50-60
(7) CM 25726513	FAN BRACKET
(8) 620419 37	FAN BLADE
(9) SC 81000016-00	AIR COOLED CONDENSER
(10) CM 19550628	HI PRESSURE CONTROL

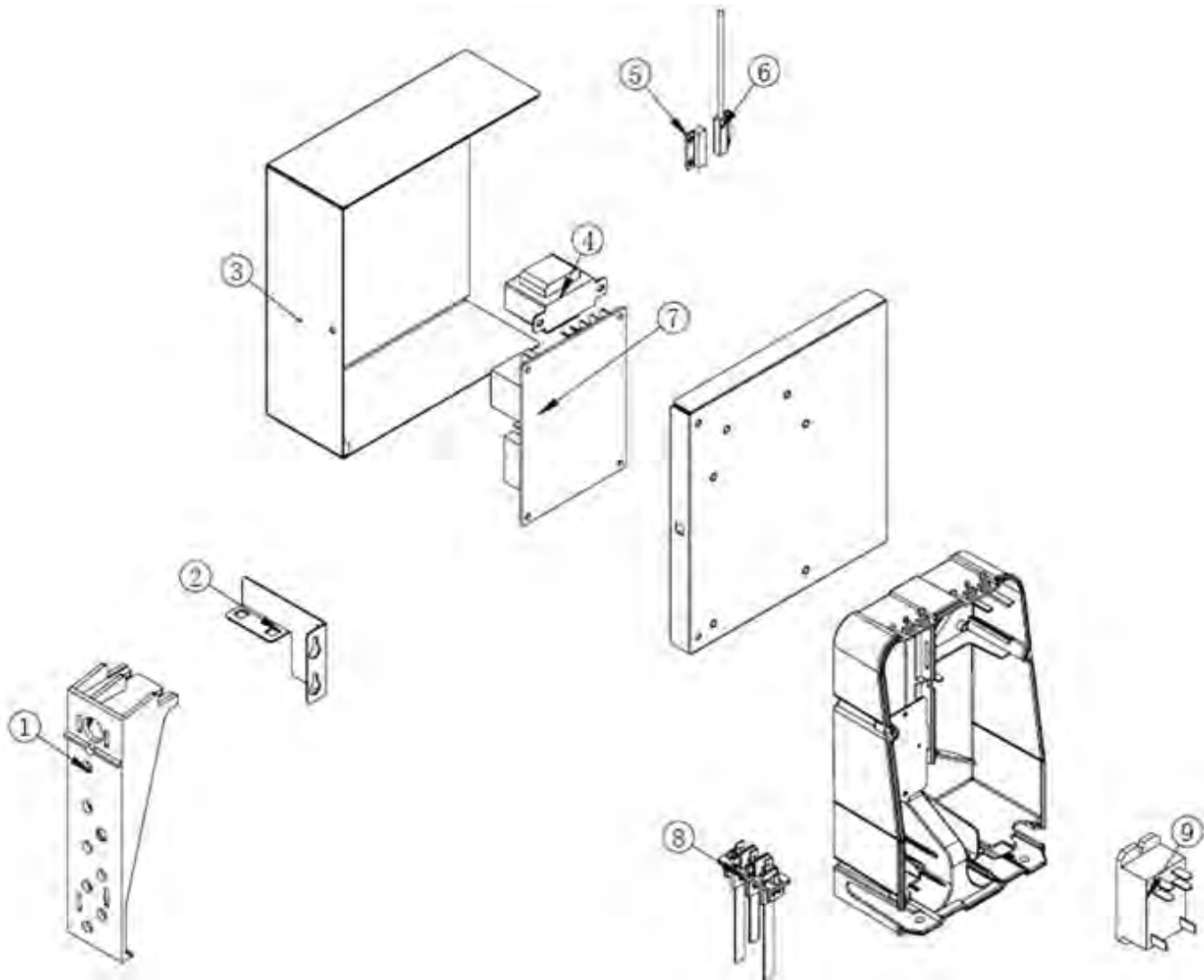
ICE MAKING SYSTEM



ICE MAKING SYSTEM

Code	Description
(1) SC 11000086	WATER PUMP COVER
(2) SC 94000014	WATER DISTRIBUTOR
(3) 620433 02	WATER PUMP 230/50
(4) SC 22000003	WATER HOSE
(5) SC 41000048	WATER CURTAIN
(6) SC 11000085	WATER PUMP BRACKET
(7) SC 41000046	WATER TROUGH
(8) SC 22000004	WATER INLET HOSE
(9) 11000564 02	PURGE VALVE
(10) SC 22000005	WATER DRAIN HOSE
(11) SC 41000007	WATER DRAIN CONNECTOR
(12) 660535 00	PLASTIC NUT
(13) 630107 01	CABLE HOLDER
(14) 650105 00	SOLENOID
(15) SC 41000049	WATER TROUGH SUPPORT

P.C. BOARD AND SENSORS ASSY



P.C. BOARD AND SENSORS ASSY

Code	Description
(1) SC 41000008	LED HOLDER
(2) SC 11000113	BRACKET
(3) SC 11000109	COVER
(4) SC 99020404	TRANSFORMER
(5) 11000563 02	MAGNET
(6) SC 98050103	MAGNET SWITCH
(7) SC 98050101	PC BOARD
(8) SC 41000045	WATER LEVEL SENSOR
(9) SC 30000003	RELAY 230/50/1
(*) SC 98050106	ICE THICKNESS SENSOR
(*) SC 99020468	CONDENSER SENSOR
(*) SC 98050105	MONITORING LED ASSY