

SIMAG

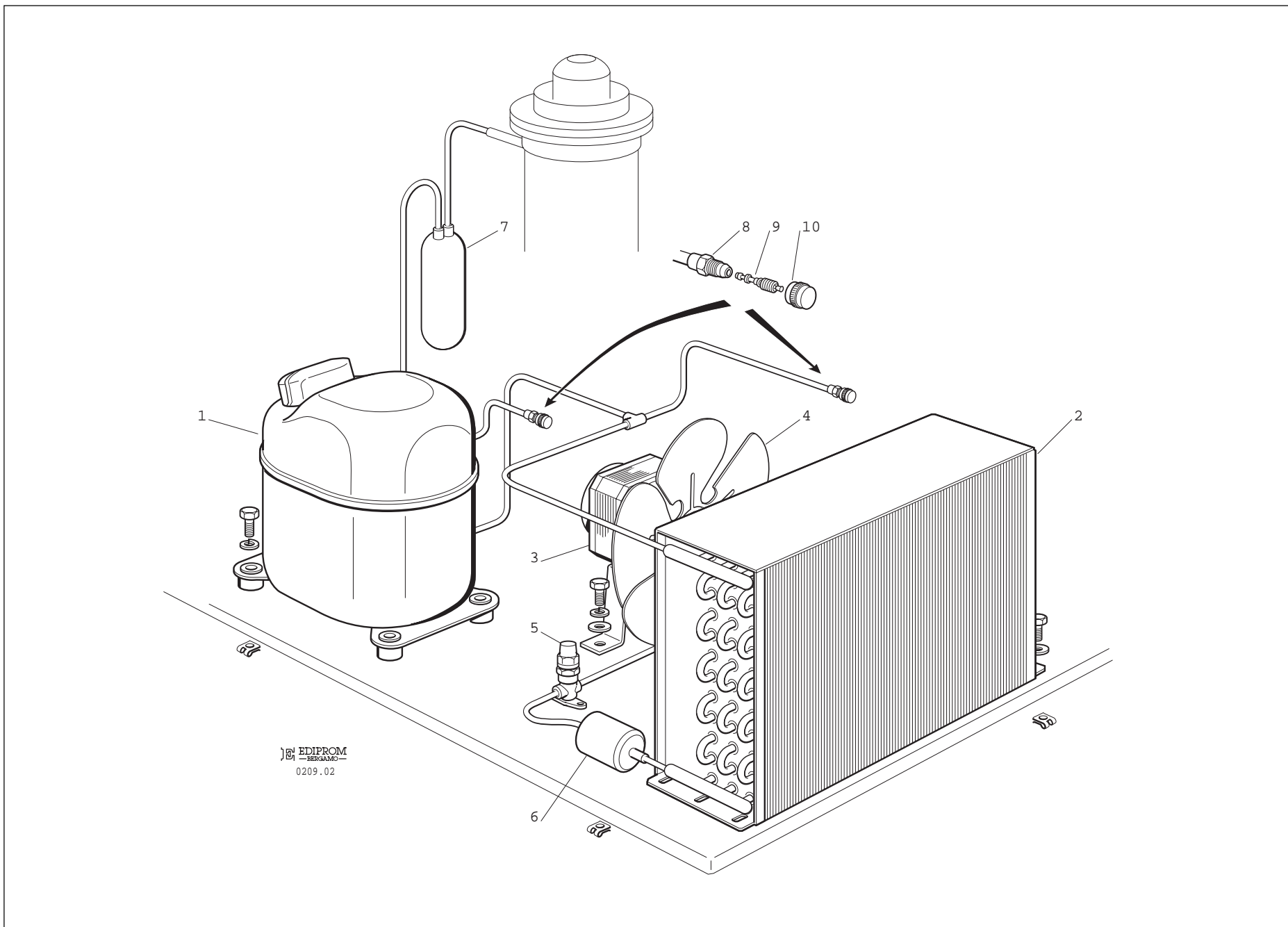
**Electronic
modular flaker
SPN 1205**

**SPARE PARTS LIST
CATALOGO RICAMBI
CATALOGUE PIÈCES DÉTACHÉES
ERSATZTEILENKATALOG**

PAGE PAGINA PAGE SEITE	TABLE OF CONTENTS	INDICE	TABLE DES MATIÈRES	INHALTVERZEICHNIS
1	TABLE OF CONTENTS	INDICE	TABLE DES MATIÈRES	INHALTVERZEICHNIS
2-3	UNIT PANELS	ASSIEME MOBILE	ENS. CARROSSERIE	MACHINENGEHAUSE
4-5	REFRIGERANT SYSTEM AIR COOLED	SISTEMA REFRIGERANTE RAFFR. AD ARIA	CIRCUIT FRIGORIFIQUE REFROID. A AIR	GEFRIERSYSTEM LUFTGEKÜHLT
6-7	REFRIGERANT SYSTEM WATER COOLED	SISTEMA REFRIGERANTE RAFFR. AD ACQUA	CIRCUIT FRIGORIFIQUE REFROID. A EAU	GEFRIERSYSTEM WASSERGEKÜHLT
8-9	WATER SYSTEM AND INSULATIONS	CIRCUITO IDRAULICO ED ISOLAMENTI	CIRCUIT HYDRAULIQUE ET INSULATIONS	WASSERKREISLAUF UND ISOLIERUNGEN
10-11	FREEZER AND GEAR REDUCER ASSY	ASSIEME FREEZER E RIDUTTORE	ENS. FREEZER ET MOTOREDUCTEUR	GEFRIERZYLINDER-GETRIEBEEINHEIT
12-13	P.C. BOARD AND SENSORS ASSY	SCHEDA ELETTRONICA E SENSORI	ENS. CARTE ELECTRONIQUE ET DETECTEURS	ELEKTRONISCHE KARTE UND TEMPERRATURFUEHLERENHEIT
14	COMPRESSOR CHARTS	TABELLA COMPRESSORI	LISTE DES COMPRESSEURS	KOMPRESSOR BESTANDTEILE

SPN 1205 - UNIT PANELS - ASSIEME MOBILE - ENS. CARROSSERIE - MACHINE GEHAUSE

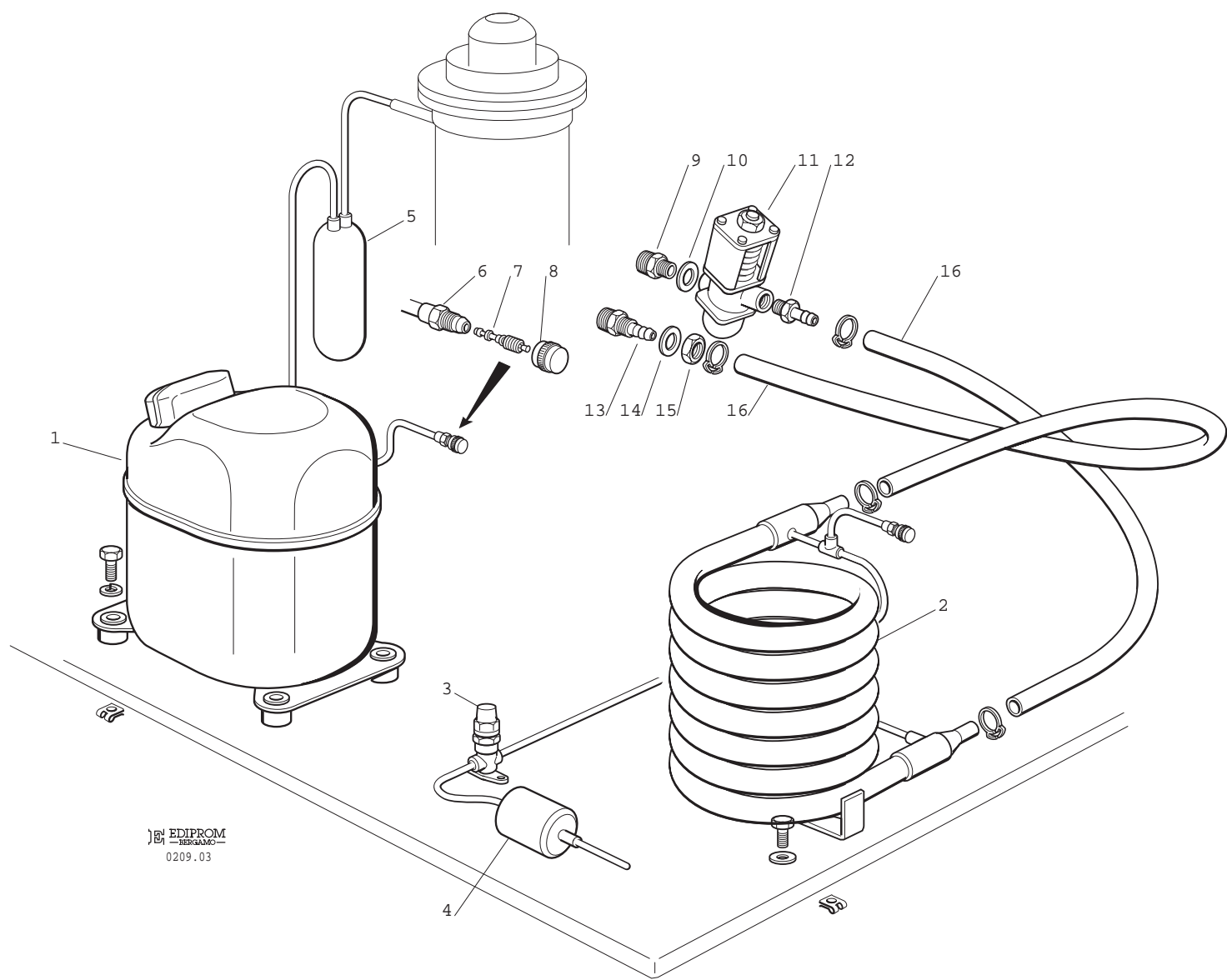
ITEM NO POS NO REP. NO REF. NO	PART NO CODICE REFERENCE STUECK NR	DESCRIPTION	DESCRIZIONE	DESIGNATION	BESCHREIBUNG
1	781430 00	UNIT BASE	BASAMENTO	BASEMENT	CHASSIS RAHMENGEHÄUSE
2	781431 00	METAL BRACKET	SUPPORTO IN METALLO	SUPPORT	METALLTRAGER
3	781431 01	METAL BRACKET	SUPPORTO IN METALLO	SUPPORT	METALLTRAGER
4	702299 00	METAL PLATE	STAFFA IN ACC. INOX	PLAQUE EN ACIER INOX	METALLPLATTE
5	702298 01	METAL PLATE	STAFFA IN ACC. INOX	PLAQUE EN ACIER INOX	METALLPLATTE
6	70229800	METAL PLATE	STAFFA IN ACC. INOX	PLAQUE EN ACIER INOX	METALLPLATTE
7	721816 04	FRONT PANEL S.S.	PANNELLO FRONTALE ACCIAIO INOX	PANNEAU AVANT ACIER INOX	EDELSTAHL FRONT
8-9	721817 00	SIDE PANEL S.S.	PANNELLO LATERALE ACC. INOX	PANNEAU COTE ACIER INOX	EDELSTAHL SEITENWAND
10	702297 00	REAR PANEL S.S.	PANNELLO POSTERIORE ACC. INOX	PANNEAU ARRIERE ACIER INOX	EDELSTAHL RÜCKWAND
11	721818 00	TOP PANEL S.S.	PANNELLO SUPERIORE ACCIAIO INOX	PANNEAU SUP. ACIER INOX	EDELSTAHL OBERWAND
12	660671 00	TOP PLASTIG PLUG	TAPPO IN PLASTICA	CAPUCHON EN PLASTIQUE	PLASTIKPROPFFEN
13	650805 00 650805 40	SIMAG LOGO LABEL SPN 1205	EMBLEMA SIMAG ETICHETTA SPN 1205	EMBLÉME SIMAG ETIQUETTE SPN 1205	SIMAG ZEICHEN ETIKETT SPN 1205
14	650624 12	LABEL	ADESIVO SEGNALETICO	ETIQUETTE	ETIKETT



EDIPROM
BERGAMO
0209.02

SPN 1205 - REFRIGERANT SYSTEM AIR COOLED - SISTEMA REFRIGERANTE RAFFR. AD ARIA
CIRCUIT FRIGORIFIQUE REFRROID. PAR AIR - LUFTGEKÜHLT GEFRIERSYSTEM

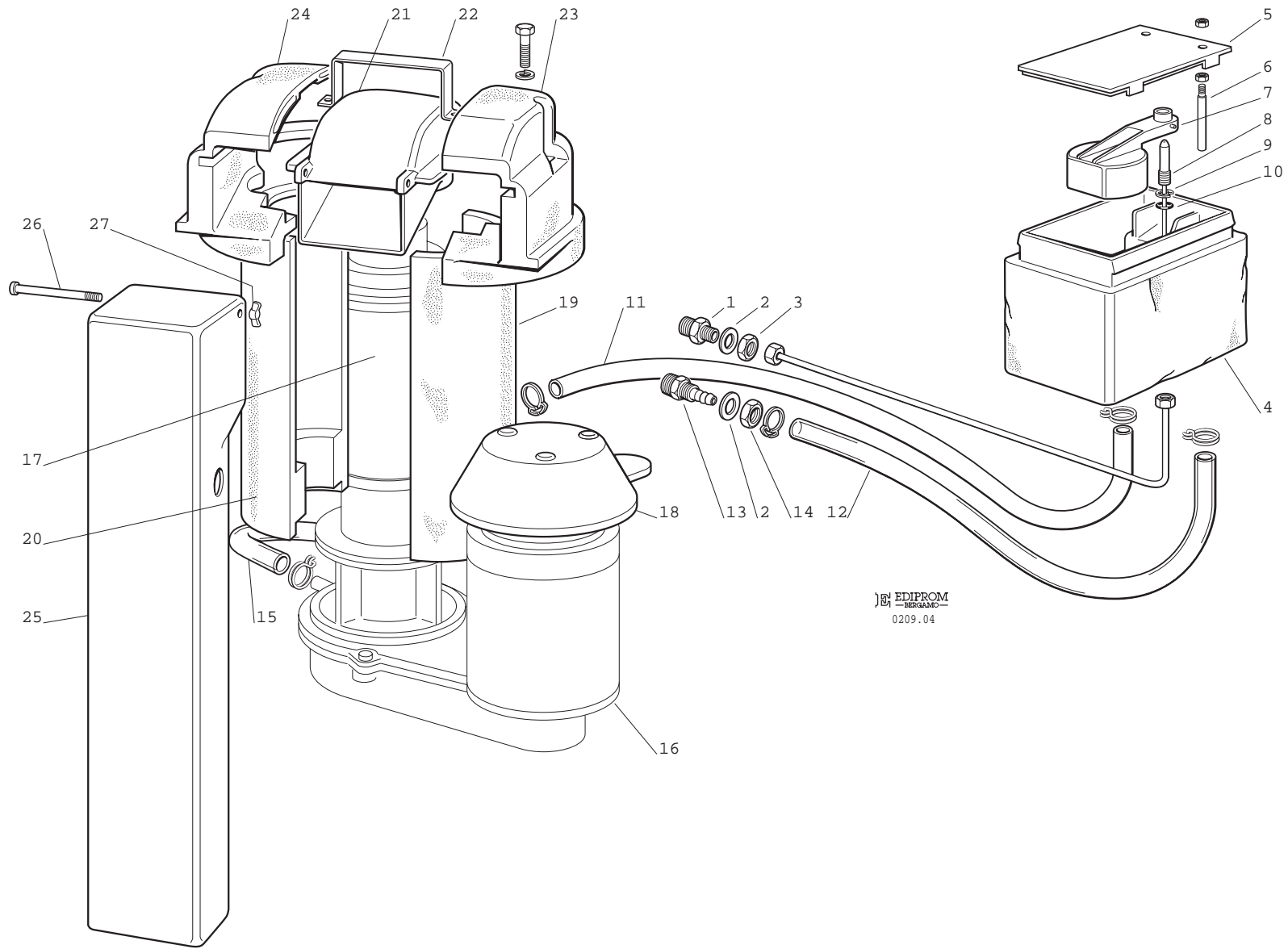
ITEM NO POS NO REP. NO REF. NO	PART NO CODICE REFERENCE STUECK NR	DESCRIPTION	DESCRIZIONE	DESIGNATION	BESCHREIBUNG
1	670098 06	COMPRESSOR ASSY - 230/50-60/3 COMPRESSOR ASSY - 400/50-60/3	ASSIEME COMPRESSORE - 230/50-60/3 ASSIEME COMPRESSORE - 400/50-60/3	ENSAMBLE COMPRESSEUR - 230/50-60/3 ENSAMBLE COMPRESSEUR - 400/50-60/3	KOMPRESSOR - 230/50-60/3 KOMPRESSOR - 400/50-60/3
2	620459 00	AIR COOLED CONDENSER	CONDENSATORE AD ARIA	CONDENSEUR A AIR	LUFTGEKUEHLT KONDENSATOR
3	620273 00 620273 03 620338 00	FAN MOTOR - 230/50/1 FAN MOTOR - 230/60/1 FAN GUARD	MOTORE VENTILATORE - 230/50/1 MOTORE VENTILATORE - 230/60/1 GRIGLIA VENTILATORE	MOTEUR VENTILATEUR - 230/50/1 MOTEUR VENTILATEUR - 230/60/1 PROTECTION D'HELICE	LUFTER MOTOR - 230/50/1 LUFTER MOTOR - 230/60/1 LUFTER HAUBE
4	620274 00	FAN BLADE	VENTOLA	HELICE	FLUEGEL
5	620372 05	SERVICE VALVE	RUBINETTO DI SERVIZIO	ROBINET DE SERVICE	VENTILKALTEMITTEL
6	670024 00	DRIER	FILTRO DEUMIDIFICATORE	FILTRE DESHYDRATEUR	TROCKNER
7	784566 00	SUCTION LINE/ACCUMULATOR	ACCUMUL. E LINEA ASPIRAZIONE	ENS. ASPIRATION/ACCUMULATEUR	SAMMLER UND SAUGLEITUNGEN
8	650109 00	VALVE BODY	CORPO VALVOLA	CORPS DE VANNE	VENTILGEHAUSE
9	670012 00	VALVE PISTON	PISTONCINO VALVOLA	PISTON	VENTILKOLBEN
10	650106 00	VALVE CAP	CAPPUCCIO VALVOLA	CAPUCHON DE VANNE	VENTILKLAPPE



EDIPROM
BERGAMO
0209.03

SPN 1205 - REFRIGERANT SYSTEM WATER COOLED - SISTEMA REFRIGERANTE RAFFR. AD ACQUA
CIRCUIT FRIGORIFIQUE REFROID. PAR EAU - WASSERGEKÜHLT GEFRIERSYSTEM

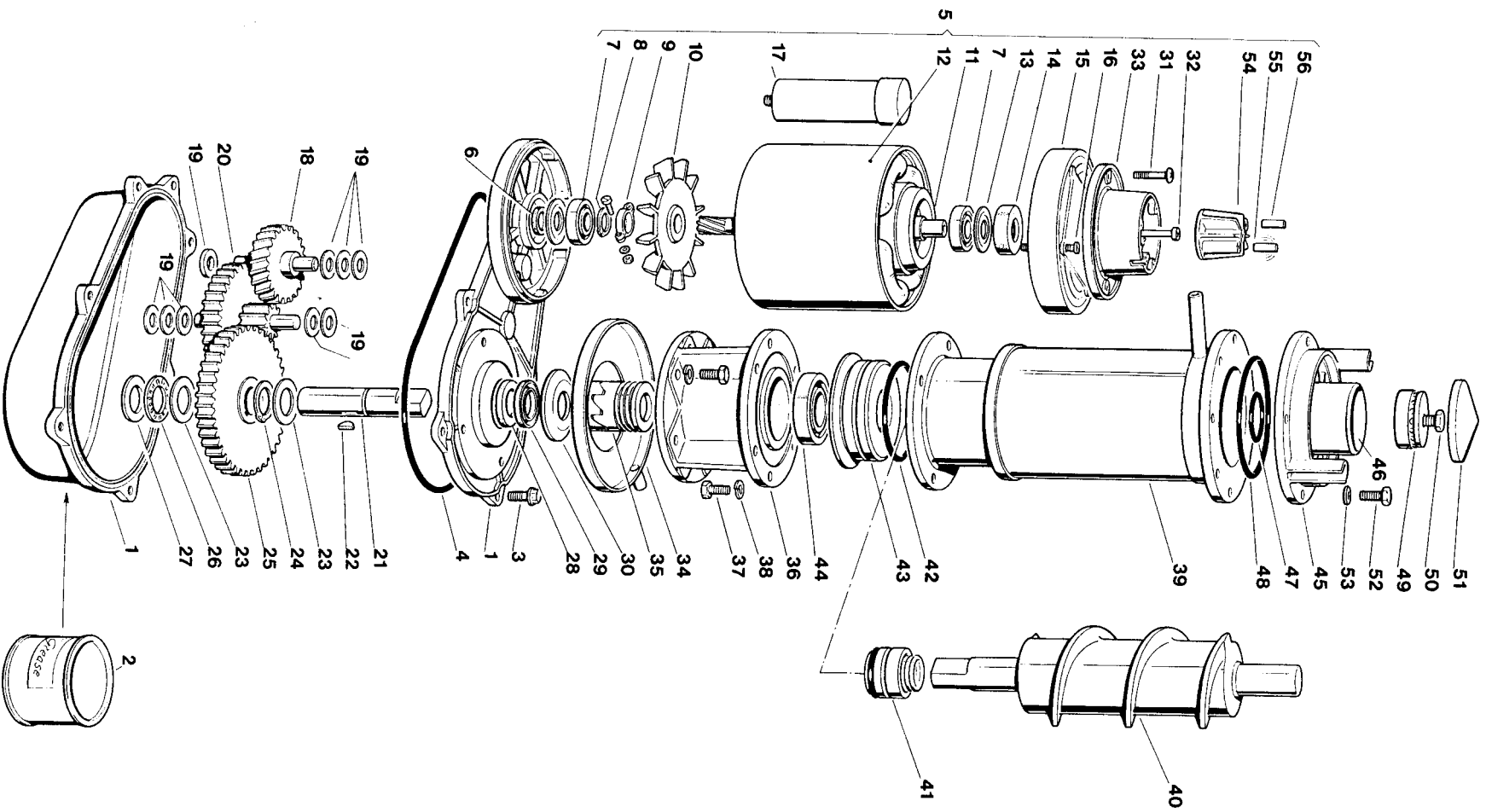
ITEM NO POS NO REP. NO REF. NO	PART NO CODICE REFERENCE STUECK NR	DESCRIPTION	DESCRIZIONE	DESIGNATION	BESCHREIBUNG
1	670098 06	COMPRESSOR ASSY 230 V COMPRESSOR ASSY 400 V	ASSIEME COMPRESSORE 230 V ASSIEME COMPRESSORE 400 V	ENSAMBLE COMPRESSEUR 230 V ENSAMBLE COMPRESSEUR 400 V	KOMPRESSOR 230 V KOMPRESSOR 400 V
2	620390 01	WATER COOLED CONDENSER	CONDENSATORE AD ACQUA	CONDENSEUR A EAU	WASSERGEKUEHLT KONDENSATOR
3	620372 05	SERVICE VALVE	RUBINETTO DI SERVIZIO	ROBINET DE SERVICE	VENTILKALTEMITTEL
4	670024 00	DRIER	FILTRO DEUMIDIFICATORE	FILTRE DESHYDRATEUR	TROCKNER
5	784566 00	SUCTION LINE/ACCUMULATOR	ACCUMUL. E LINEA ASPIRAZIONE	ENS. ASPIRATION/ACCUMULATEUR	SAMMLER LEITUNGEN
6	650109 00	VALVE BODY	CORPO VALVOLA	CORPS DE VANNE	VENTILGEHAUSE
7	670012 00	VALVE PISTON	PISTONCINO VALVOLA	PISTON	VENTILKOLBEN
8	650106 00	VALVE CAP	CAPPUCCIO VALVOLA	CAPUCHON DE VANNE	VENTILKLAPPE
9	733204 00	WATER INLET FITTING	RACCORDO INGRESSO ACQUA	RACCORD ARRIVÉE D'EAU	WASSEREINLAUFSTÜCK
10	400031 01	FIBER WASHER	RONDELLA IN FIBRA	RONDELLE EN FIBRE	FIBER SCHEIBE
11	620111 00	WATER REGULATING VALVE	VALVOLA PRESSOSTATICA	VANNE A EAU PRESSOSTATIQUE	WASSERREGLERVENTIL
12	733173 00	OUTLET VALVE FITTING	RACCORDO USCITA VALVOLA PRESS.	RACCORD SORTIE VALVE PRESS.	WASSERREGLEREABFLUSSSTUECK
13	733174 00	WATER DRAIN FITTING	RACCORDO SCARICO ACQUA	RACCORD ÉVACUATION EAU	WASSERABFLUSSSCHLAUCH
14	400031 00	FIBER WASHER	RONDELLA IN FIBRA	RONDELLE EN FIBRE	FIBER SCHEIBE
15	400076 00	NUT	DADO	ECROU	MUTTER
16	281900 03	PLASTIC TUBE-PER METER	TUBO IN PLASTICA-PER METRO	TUYAU EN PLASTIQUE-POUR METRE	PLASTIK ROHR-PRO METER
17	650499 00	PLASTIC CLAMP	FASCETTA IN PLASTICA	COLLIER EN PLASTIQUE	PLASTIK SCHELLE



EDIPROM
BERGAMO
0209.04

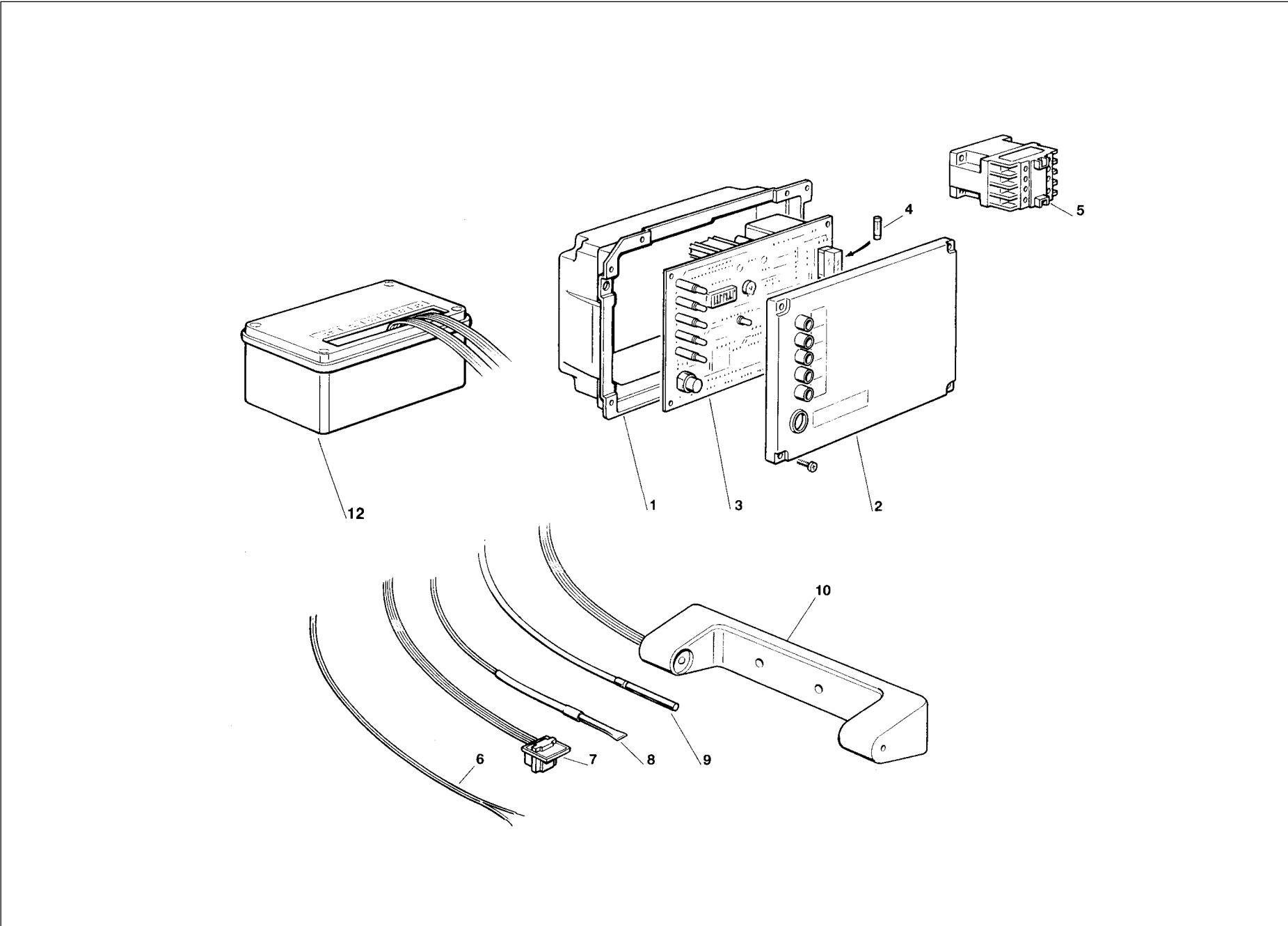
SPN 1205 - WATER SYSTEM AND INSULATIONS - CIRCUITO IDRAULICO ED ISOLAMENTI
CIRCUIT HYDRAULIQUE ET ISOLATIONS - WASSERKREISLAUF UND ISOLIERUNGEN

ITEM NO POS NO REP. NO REF. NO	PART NO CODICE REFERENCE STUECK NR	DESCRIPTION	DESCRIZIONE	DESIGNATION	BESCHREIBUNG
1	733205 01	WATER INLET FITTING	RACCORDO INGRESSO ACQUA	RACCORD ARRIVEE D'EAU	WASSEREINLAUFSTUECK
2	400031 00	FIBER WASHER	RONDELLA IN FIBRA	RONDELLE EN FIBRE	FIBER SCHEIBE
3	400030 01	NUT	DADO	ECROU	MUTTER
4	793126 01	WATER RESERVOIR ASSY	ASS. VASCHETTA GALLEGGIANTE	ENS. RÉSERVOIR	BECKEN/SCHWIMMERVENTILEINHEIT
5	660363 00	WATER RESERVOIR COVER	COPERCHIO VACHETTA	COUVERCLE	BECKENABDECKUNG
6	724215 06	WATER LEVEL METAL PIN	PERNO SENSORE LIVELLO ACQUA	DETECTEUR NIVEAU EAU	FÜHLERSTIFT-WASSERNIVEAU
7	660585 00	FLOAT VALVE ASSY	ASS. GALLEGGIANTE	ENS. VANNE A FLOTTEUR	SCHWIMMERVENTIL-EINHEIT
8	783153 00	NOZZLE	UGELLO	GICLEUR	VENTILSDUESE
9	460038 02	CLIP RING	ANELLO SEEGER	CIRCLIP	RING
10	640100 00	O RING	GUARNIZIONE OR	JOINT TORIQUE	SIMMERING
11	281222 00	PLASTIC TUBE - PER MTR	TUBO IN PLASTICA - PER METRO	TUYAU EN PLASTIQUE - POUR METRE	PLASTIK ROHR - PRO METER
12	281832 00	PLASTIC TUBE - PER MTR	TUBO IN PLASTICA - PER METRO	TUYAU EN PLASTIQUE - POUR METRE	PLASTIK ROHR - PRO METER
13	733174 00	WATER DRAIN FITTING	RACCORDO SCARICO ACQUA	RACCORD EVACUATION EAU	WASSERABFLUSSANSCHLUSSE
14	400076 00	NUT	GHIERA	COLLIER DE SERRAGE	MUTTER
15	610163 02	PLASTIC TUBE	TUBO IN PLASTICA	TUYAU EN PLASTIQUE	PLASTIK ROHR
16	794215 08 R	GEAR REDUCER ASSY	ASS. MOTORIDUTTORE	ENS. MOTOREDUCTEUR	GETRIEBEMOTOR-EINHEIT
17	794298 00 R	FREEZER ASSY	ASS. FREEZER	ENS. FREEZER	GEFRIERZYLINDEREINHEIT
18	660553 00	GEAR MOTOR PLASTIC COVER	PROTEZIONE MOTORE	PROTECTION MOTEUR	PLASTIK MOTORSCHUTZ
19-20	060551 05	INSULATION	ISOLAMENTO	ISOLATION	GEFRIERZYLINDERISOLIERUNG
21	660667 00	PLASTIC ICE SPOUT	BOCCHETTA SCARICO GHIACCIO	BEC VERSEUR	AUSWURFSCHNAUZE
22	725035 01	U BOLT	STAFFA	ETRIER	BÜGEL
23-24	0650551 01	SPOUT INSULATION RIGHT	ISOLAMENTO BOCC. DESTRO	ISOLATION DROITE BEC VERSEUR	AUSWURFSCHNAUZEISOLIERUNG
25	660573 07	PLASTIC ICE CHUTE	CONDOTTO SCARICO GHIACCIO	GOULOTTE	EIS BUNKERAUSLAUF
26	724180 02	METAL ROD	TIRANTE	TIRANT	STANGE
27	430083 00	WING NUT	DADO AD ALETTE	ECROU	MUTTER



SPN 1205 - FREEZER AND GEAR REDUCER ASSY - ASSIEME FREEZER E RIDUTTORE ENS. FREEZER ET MOTOREDUCTEUR - GEFRIERZYLINDER UND GETRIEBEEINHEIT

ITEM NO POS NO REP. NO REF. NO	PART NO CODICE REFERENCE STUECK NR	DESCRIPTION	DESCRIZIONE	DESIGNATION	BESCHREIBUNG
1	A. 31230 01	GEAR CASE ASSY	ASS. SCATOLA INGRANAGGI	ENS. CARTER REDUCTEUR	GETRIEBEGEHAUSE CPL
2	060294 01	GREASE (1 KG)	GRASSO (1 KG)	GRAISSE (1 KG)	FETT (1 KG)
3	423850 00	SCREW	VITE	VIS	SCHRAUBE
4	13000617 38	O RING	GUARNIZIONE OR	JOINT TORIQUE	O RING
5	060273 06	DRIVE MOTOR ASSY	MOTORE RIDUTTORE	MOTEUR DU REDUCTEUR	MOTOREINHEIT
6	02 1606 00	GEASE SEAL	PARAOILIO	PARAHUILE	SCHMIERDICHTUNG
7	651053 00	BEARING	CUSCINETTO	ROULEMENT	LAGER
8	441800 04	WASHER	RONDELLA	RONDELLE	SCHEIBE
9	650341 00	CLAMP	FASCETTA	COLLIER	KLEMME
10	650340 00	FAN BLADE	VENTOLA	HELICE	FLÜGEL/RAD
11	794216 00R	ROTOR ASSY	ASS. ROTORE	ENS. ROTOR	ROTOR EINHEIT
12	620295 00	STATOR ASSY	ASS. STATORE	ENS. STATOR	STATOREINHEIT
13	460041 00	SPRING	MOLLA	RESSORT	FEDER
14	640095 01	RUBBER INSERT	INSERTO IN GOMMA	BAGUE CAOUTCHOUC	GUMMI LAGER GEHAUSE
15	650339 00	DRIVE MOTOR COVER	COOPERCHIO MOTORE	COUVERCLE MOTEUR	MOTOR DEKEL
16	420332 00	SCREW	VITE	VIS	SCHRAUBE
17	620292 03	CAPACITOR	CONDENSATORE	CONDENSATEUR	KONDENSATOR
18	651156 00	1SR GEAR & PINION	INGRANAGGIO IN FIBRA	ENGRANAGE EN CELERON	1 GETRIEBERAND & RITZEL
19	03 1408 24	TRUST WASHER (9 R.OD)	RONDELLA DI RASAMENTO (9 PZ)	RONDELLE (9 PCS)	UNTERLEG SCHEIBE (9 STK.)
20	651157 00	2ND GEAR & PINION	INGRANAGGIO INTERMEDIO	2eme ENGRANAGE ET PIGNON	2 GETRIEBERAND & RITZEL
21	651159 00	OUTPUT SHAFT	ALBERO DI TRASMISSIONE	ARBRE DE SORTIE	AUSGANGSSHAFT
22	03 1364 00	KEY	CHIAVETTA	CLAVETTE	KEIL
23	02 1681 00	TRUST WASHER	RONDELLA DIRASAMENTO	RONDELLE	SCHEIBE
24	03 1363 00	CLIP RING	ANELLO SEGER	CIRCLIP	RING
25	651158 00	OUTPUT GEAR	INGRANAGGIO FINALE	3eme ENGRANAGE	GETRIEBERAND
26	02 1680 00	ROLLER BEARING	CUSCINETTO A RULLINI	ROULEMENT	OBERLAGE
27	02 1679 00	TRUST WASHER	RONDELLA DI RASAMENTO	RONDELLE	SCHEIBE
28	02 1607 01	GREASE SEAL - FACE DOWN	PARAOILIO	PARAHUILE	SCHMIERDICHTUNG
29	02 2853 01	GREASE SEAL - FACE UP	PARAOILIO	PARAHUILE	SCHMIERDICHTUNG
30	13 0709 02	GASKET	GUARNIZIONE	JOINT	DICHTUNG
31	400078 00	SCREW	VITE	VIS	SCHAUBE
32	03 1403 77	SCREW	VITE	VIS	SCHAUBE
33	650515 01	PLASTIC HOUSING	ALLOGGIAMENTO IN PLASTICA	BâTE DETECTEUR EFF. HALL	KUNSTSTOFFGEHAUSE
34	650686 00	DRIP TRAY	RACCOGLIGOCCE	GOUPILLE EAU	TROPFFANNE
35	060359 01	COUPLING	GIUNTO	BAGUE D'ACCOUPLMENT CPL	KUPPLUNG
36	764007 00	ALUMINIUM ADAPTER	SUPPORTO DI ALLUMINIO	SUPPORT	PASSTUECK
37	420019 00	SCREW	VITE	VIS	SCHRAUBE
38	440015 04	WASHER	RONDELLA	RONDELLE	SCHEIBE
39	784456 00	WORM TUBE ONLY	TUBO EVAPORATORE	CYLINDRE EVAPORATEUR	GEFRIERZYLINDER
40	724198 03	AUGER	COCLEA	VIS SANS FIN	SCHNECKE
41	650402 00	WATER SEAL	ASSIEME PREMISTOPPA	GARNITURE D'ETANCHEITE	WASSERDICHTUNGSEINHEIT
42	640093 00	O RING	GUARNIZIONE OR	JOINT TORIQUE	O RING
43-44	060527 00	BEARING RETAINER ASSY	SUPPORTO/CUSCINETTO	LOGEMENT/PALIER	UNTERESLAGERGEHAUSE
45	751005 01	ICE BREAKER ONLY	ROMPIGHIACCIO	BROYEUR	EISBRECHER
46	263612 00	WATER PROOF GREASE (4 OZ)	GRASSO IDROREPELL. (110 GR)	GRAISSE (110 GR)	FETT (110 GR)
47	640093 02	O RING	GUARNIZIONE OR	JOINT TORIQUE	O RING
48	640093 03	O RING	GUARNIZIONE OR	JOINT TORIQUE	O RING
49	651058 00	TOP BEARING	CUSCINETTO SUPERIORE	PALIER SUPERIEUR	OBERESLAGER
50	423915 00	SCREW	VITE	VIS	SCHAUBE
51	660507 00	PLASTIC CUP	CALOTTA IN PLASTICA	CALOTTE	KUGELHAUBE
52	420019 00	SCREW	VITE	VIS	SCHAUBE
53	440015 04	WASHER	RONDELLA	RONDELLE	SCHEIBE
54-55-56	784476 01	MAGNETO ASSY	ASS. SUPPORTO MAGNETE	ENS. SUPPORT DU MAGNETO	MAGNETHALTER CPL
*	001028 08	KIT BEARING & SEAL	KIT CUSCINETTI + PREMISTOPPA	KIT PALIERS + GARNITURE	KIT LAGER + WASSER DICHTUNG



SPN 1205 - P.C. BOARD AND SENSOR ASSY - SCHEDA ELETTRONICA E SENSORI
ENS. CARTE ELECTRONIQUE ET DETECTEURS - ELEKTRONISCHE KARTE UND TEMPERATURFUEHLERENHEIT

ITEM NO POS NO REP. NO REF. NO	PART NO CODICE REFERENCE STUECK NR	DESCRIPTION	DESCRIZIONE	DESIGNATION	BESCHREIBUNG
1-2-3-12	060535 00	P.C. BOARDS KIT	KIT SCHEDE ELETTRONICHE	KIT CARTES ELECTRONIQUES	GEDRUCKTESCHALTUNG KIT
4	630015 11	FUSE (50 mA)	FUSIBILE (50 mA)	FUSIBLE (50 mA)	SCHMELZSICHERUNG (50 mA)
5	630015 10	FUSE (16 A)	FUSIBILE (16 A)	FUSIBLE (16 A)	SCHMELZSICHERUNG (16 A)
6	620404 04	WATER LEVEL SENSOR	SENSORE LIVELLO ACQUA	CAPTEUR NIVEAU EAU	WASSERNIVEAUFÜHLER
7	620404 03	HALL EFFECT SENSOR	SENSORE EFFETTO HALL	CAPTEUR EFFECT HALL	HALL EFFEKT-FÜHLER
8	620404 11	CONDENSER TEMP. SENSOR	SENSORE TEMP. CONDENSATORE	CAPTEUR TEMP. CONDENSEUR	KONDENSATORTEMPERATURFUEHLER
9	620404 10	EVAPORATOR TEMP. SENSOR	SENSORE TEMP. EVAPORATORE	CAPTEUR TEMP. ÉVAPORATEUR	VERDAMPFERTEMPERATURFUEHLER
10	650674 02	ICE LEVEL CONTROL ASSY	ASS. CONTR. LIVELLO GHIACCIO	ENS. DETECTEUR NIVEAU GLACE	EISNIVEAUFUEHLEREINHEIT
11	630124 05 620428 00	CONTACTOR CURRENT RELAY	TELERUTTORE RELE AMPEROMETRICO	CONTACTEUR PROTECTEUR AMPEROMETRIQUE	SCHALTSCHÜTZ SCHUTZRELAIS

SPN 1205 - COMPRESSOR CHART - TABELLA COMPRESSORI TABLEAU COMPRESSEUR - KOMPRESSOR KARTE			
MODEL MODELLO MODELE MODELL	VOLTS TENSIONE TENSION SPANNUNG	COMPRESSOR MODEL MODELLO COMPRESSORE TYPE COMPRESSEUR KOMPRESSOR TYP	COMPRESSOR COMPRESSORE COMPRESSEUR KOMPRESSOR
SPN 1205	230/50-60/3	U.H. TFH 2511Z	670098 08
SPN 1205	400/50-60/3	U.H. TFH 2511Z	670098 06